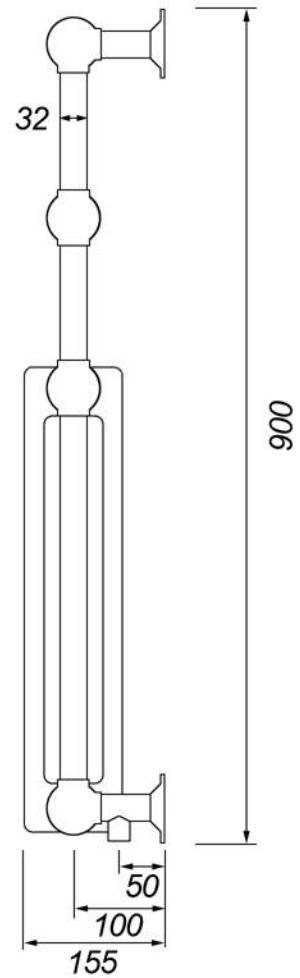
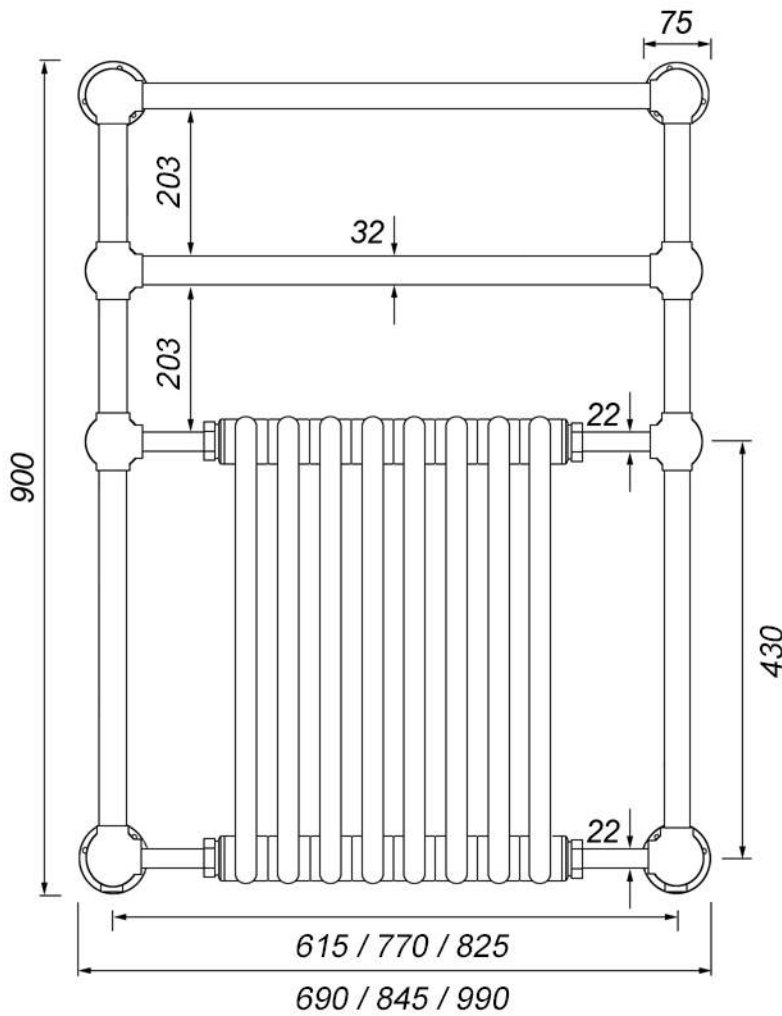
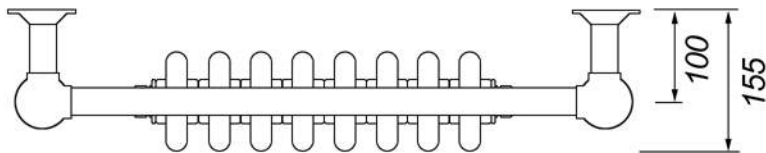


Front view

Side view



Top view



Height	Width	Depth	Tapping centres (width)	Tapping centres (from wall)	Bars	Tube thickness (verticals)	Tube thickness (horizontal)
900	690	155	615	50	2	32	32 / 22
900	845	155	770	50	2	32	32 / 22
900	990	155	825	50	2	32	32 / 22